

PRODUCT SPECIFICATION

STANDARD FEATURES

Dimensions: 4-line/33 key
Width - 3.0" (76 mm)
Length - 11.25" (286 mm)
Weight - 2.81 lbs. (1.3 kg)
Shipping Weight - 5 lbs. (2.27 kg)

8-line/48 key
Width - 3.0" (76 mm)
Length - 11.5" (292 mm)
Weight - 2.33 lbs. (1.06 kg)
Shipping Weight - 4.88 lbs. (2.27 kg)

Display: 4- or 8-line LCD, 20 characters per line (with backlight under application control)

Printing: Thermal direct (no ink /ribbon)

Printhead: 1.83" (47 mm/352 dots)
(1 inch/192 dots)

Scanner: Optional Integrated Laser Scanner with Scanner LED



PC/Host Interface:

- ◆ RS-232 (serial)
- ◆ NONE, XON/XOFF, DTR, and RTS
- ◆ Up to 115K baud
- ◆ Programmable control characters
- ◆ ASCII symbol set

Black-to-White Print Ratio:

30% black maximum per square inch

Operating System:

- ◆ Datalight® ROM-DOS 6.22 (MS-DOS® 6.22 compatible)
- ◆ SystemSoft® BIOS

Memory:

- ◆ 1 MB RAM, 640K for application
- ◆ 2 MB Flash ROM, 1.75 MB for storage

Optional RF Network Interface (Factory or Service Installable):

- ◆ Aironet™ 2.4 GHz Frequency Hopping
- ◆ Symbol® 2.4 GHz Frequency Hopping
- ◆ Proxim™ 2.4 GHz Frequency Hopping
- ◆ Symbol 902 Mhz Fixed Frequency
- ◆ Aironet 3000/3500 2.4 GHz

Optional Batch Memory (Factory or Service Installable):

4, 8, 20, or 40 MB ATA Flash Memory card

Fonts Available:

Reduced, CG Triumvirate Bold, CG Triumvirate Bold Condensed, Letter Gothic Bold, Optional Fonts

Bar Code Symbolologies Available:

See next page for table of available bar codes

PERFORMANCE

Power:

- ◆ 12 VDC 900mAh Ni-Cd battery
- ◆ 115 or 230 VAC adapter

Minimum Battery Recharge Time:

- ◆ 1.5 hours Fast Charger
- ◆ 1.5 hours 4 Station Fast Charger

Expected Duration of One Charged Handle:

1 roll of labels (600")

Battery Backup: Rechargeable NiMH battery

Print Speed: 1.8" (46 mm) per second nominal

Printer Warranty: One (1) year parts and one (1) year labor

Product Life: Five years or 750,000 inches, whichever occurs first.

OPTIONS

Hardware:

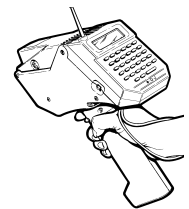
- ◆ M0607601™ Cleaning Kit
- ◆ M0609307™ 115V Fast Charger
- ◆ M0609308™ 230V Fast Charger
- ◆ M0609401™ 4 Station Charger
- ◆ M0609506™ AC Adapter
- ◆ 114226 Cleaning Pen
- ◆ 115873 Standard Battery
- ◆ 115884 High Capacity Battery
- ◆ 11658730 9-Pin PC Cable
- ◆ 11658731 25-Pin PC Cable
- ◆ 116850 Loop Back Plug
- ◆ M0PHOL03 Holster
- ◆ M0UHOL01 Deluxe Holster

Application Tools:

TC6035SDK Software Development Kit (Downloadable Fonts in SDK kit)

MONARCH®
DOS-based
PATHFINDER®
Ultra®
6037™ Printers

C/C++ PROGRAMMABLE
RADIO NETWORK
CAPABILITIES
PORTABLE PRINTER
DATA COLLECTION DEVICE
THERMAL DIRECT
OPERATES ONLINE



Monarch®
PAXAR

SUPPLIES

Only thermal direct Monarch® supplies are recommended. For high-density and serial bar codes, Monarch "premium" supplies are recommended.

Supply Sizes: Width 1.2", 1.5", and 2.0"
(31 mm to 51 mm)
Lengths .55" to 4.0"
(14 mm to 102 mm)

Peel mode supports .75" (19 mm) or greater lengths.

ENVIRONMENT RANGES

Temperature 40° to 110° F (4° to 43° C)
(Operating & Storage):

Humidity 5% to 90% non-condensing
(Operating & Storage):

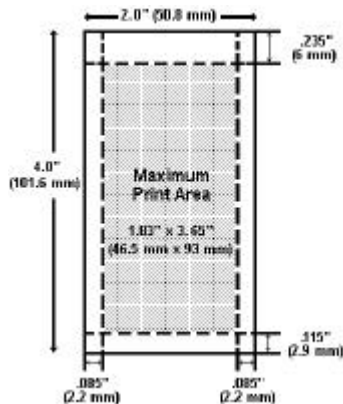
Electrostatic Discharge and Air Quality:

Some problems with electronic equipment may occur in environments prone to static discharge or extreme dust conditions.

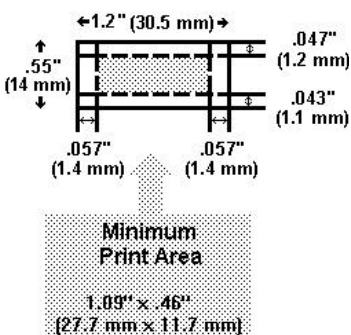
Monarch suggests that you take precautions to minimize these problems. Contact your Monarch representative for recommended precautions.

In our ongoing effort to deliver the best technology, specifications are subject to change without notice. A copy of the applicable written Monarch warranty statement is available upon request.

Print Area for Maximum Supply:



Print Area for Minimum Supply:



Barcode Type	Density (% or cpi)	Narrow Element (dots/mils)	Narrow to Wide Ratio	Data Length
UPCA +2/+5 Price CD*	80%, 120%	2/10.4, 3/15.6	N/A	11 or 12, 14/17
UPCE, +2/+5	80%, 120%	2/10.4, 3/15.6	N/A	6 or 7, 9/12
EAN8 +2/+5	80%, 120%	2/10.4, 3/15.6	N/A	7 or 8, 10/13
EAN13 +2/+5 Price CD*	80%, 120%	2/10.4, 3/15.6	N/A	12 or 13, 15/18
Interleaved 2 of 5	1.0, 2.0, 3.0, 4.0, 5.3, 6.0, 7.1, 8.3, 9.1, 10.6, 12.0, 13.7	21/109.4, 12/62.5, 7/36.5, 6/31.3, 4/20.8, 4/20.8, 3/15.6, 3/15.6, 3/15.6, 2/10.4, 2/10.4, 2/10.4	1:3.0, 1:2.5, 1:3.0, 1:2.5, 1:3.0, 1:2.5, 1:3.0, 1:2.3, 1:2.0, 1:3.0, 1:2.5, 1:2.0	0 to 2710
Code 39 or MOD 43	1.3, 1.7, 3.3, 4.0, 6.0, 6.6, 3.7, 12.0, 2.8	10/52.1, 8/41.7, 4/20.8, 3/15.6, 2/10.4, 2/10.4, 4/20.8, 1/5.2, 5/26.0	1:2.5, 1:2.5, 1:2.5, 1:3.0, 1:3.0, 1:2.5, 1:2.0, 1:3.0, 1:2.2	0 to 2710
Codabar (NW7)	2.0, 2.9, 4.3, 4.7, 7.7, 8.4, 9.6	8/41.7, 6/31.3, 4/20.8, 4/20.8, 2/10.4, 2/10.4, 2/10.4	1:3.0, 1:2.5, 1:2.5, 1:2.0, 1:3.0, 1:2.5, 1:2.0	0 to 2710
Code 93	3.6, 4.3, 5.3, 7.1, 10.7	6/31.2, 5/26.0, 4/20.8, 3/15.6, 2/10.4	N/A	0 to 2710
Code 128 or CODE 16K*	3.5/7.0, 4.4/8.7, 5.8/11.7, 8.7/17.5	5/26.0, 4/20.8, 3/15.6, 2/10.4	N/A	0 to 2710
MSI	4.0, 5.3, 6.9	4/20.8, 3/15.6, 2/10.4	1:2.0, 1:2.0, 1:2.5	0 to 2710

Barcode Type	Narrow Element (dots/mils)	Short Element (dots/mils)	Element Width (dots/mils)	Data Length
POSTNET*	24/125.0	10/52.1	4/20.8 (5 dot gap)	0, 5, 6, 9 or 11

Barcode Type	Element Width (dots/mils)	Row Height (dots/mils)	Aspect Ratio	Security Level
PDF417*	2/10.4, 2/10.4, 2/10.4, 3/15.6, 3/15.6, 3/15.6, 4/20.8, 4/20.8, 4/20.8,	2/10.4, 4/20.8, 6/31.3, 3/15.6, 6/31.3, 9/46.9, 4/20.8, 8/41.7, 12/62.5	1:1, 1:2, 1:3, 1:1, 1:2, 1:3, 1:1, 1:2, 1:3	1 to 8
Maxicode*	N/A	N/A	N/A	N/A

NOTE: D 2 of 5 (scanning only).

* indicates bar code cannot be scanned

The table above lists all UPC/EAN bar codes in percent density. All other symbologies are in characters per inch (CPI), excluding start and stop characters, sum characters, and margins. Bar code height is determined in the format. The minimum height is .3" (8 mm) for scanning.